

A.NARDUCCI
WELDING PRODUCTS

HELP

***High
Economy
Less
Problem***

The ceramic welding supports **Help** enable to carry out welding from one side with full penetration with the following advantages:

- No welding on the back side
- No gouging
- No grinding
- No oxidation
- No pollution nor analysis changing in fusion bath
- No hydrogen inclusion
- Quick execution
- Utilizable for every metal

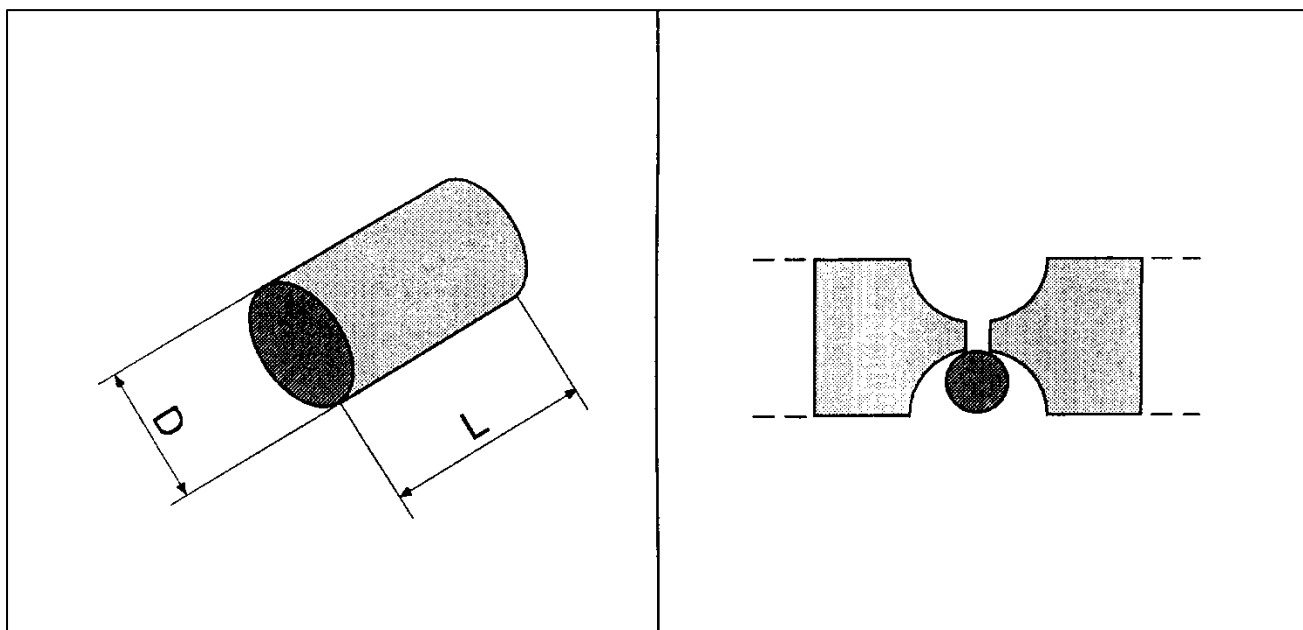
Help means operation economy.

Available in various sizes to meet the most demand user's requirements. We can manufacture **Help** to measure on specific demand.





CERAMIC SUPPORT TAPES FOR WELDING HELP

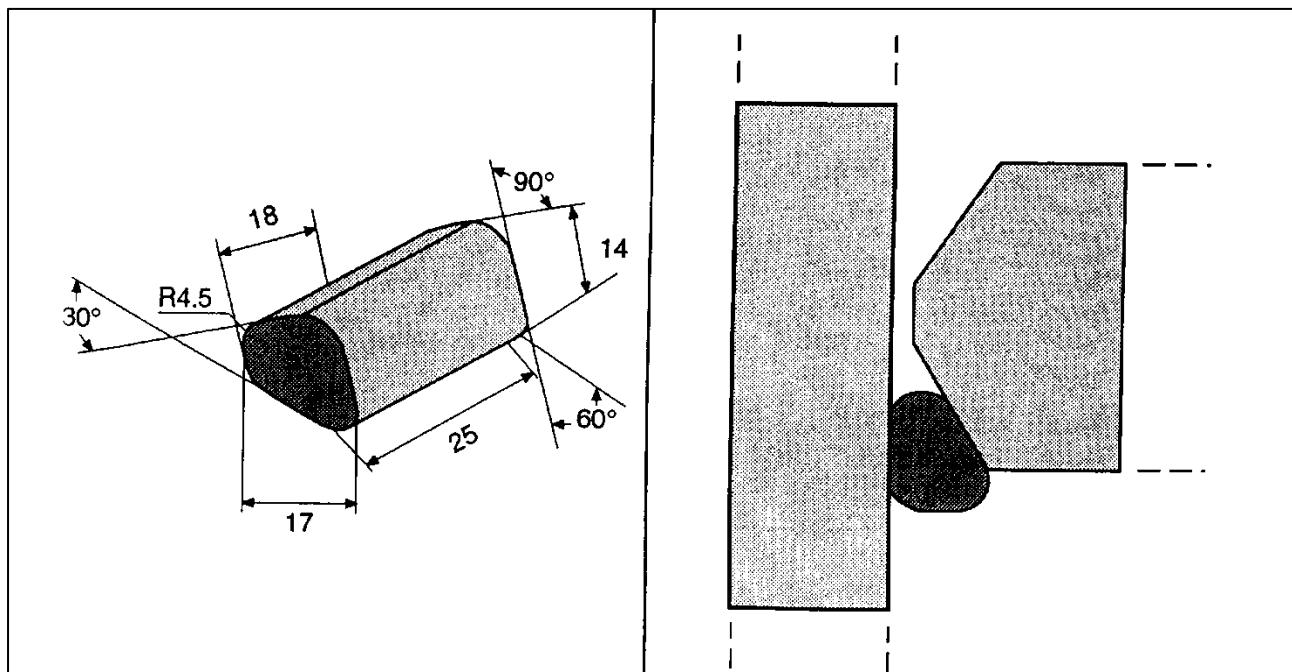


Code	Description	U.M.	Pack.
17001001001	Ceramic support CB 206 D.MM 6 (bar by 0,6 Mt.)	Mt.	48 Mt.
17001001002	Ceramic support CB 208 D.MM 8 (bar by 0,6 Mt.)	Mt.	48 Mt.
17001001003	Ceramic support CB 209 D.MM 9 (bar by 0,6 Mt.)	Mt.	48 Mt.
17001001004	Ceramic support CB 210 D.MM 10 (bar by 0,6 Mt.)	Mt.	48 Mt.
17001001005	Ceramic support CB 212 D.MM 12 (bar by 0,6 Mt.)	Mt.	48 Mt.
17001001006	Ceramic support CB 213 D.MM 13 (bar by 0,5 Mt.)	Mt.	50 Mt.
17001001007	Ceramic support CB 214 D.MM 14 (bar by 0,5 Mt.)	Mt.	50 Mt.
17001001008	Ceramic support CB 215 D.MM 15(bar by 0,6 Mt.)	Mt.	36 Mt.
17001001009	Ceramic support CB 216 D.MM 16(bar by 0,6 Mt.)	Mt.	-----
17001001013	Ceramic support CB 220 D.MM 20 (bar by 0,5 Mt.) (bar by 0,6 Mt.)	Mt.	25 Mt. 36 Mt.

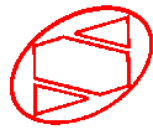


A.NARDUCCI
WELDING PRODUCTS

CERAMIC SUPPORT TAPES FOR WELDING HELP

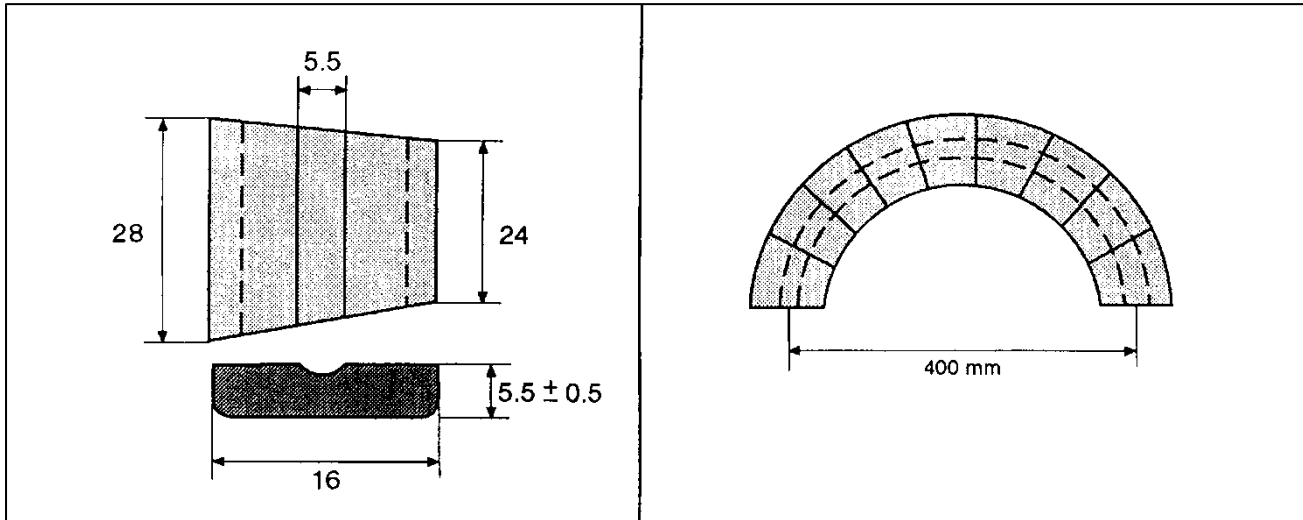


Code	Description	U.M.	Pack.
17005001001	Ceramic support CB 330 – 30 ° (bar by 0,6 Mt.)	Mt.	48 Mt. 36 Mt.
17005001002	Ceramic support CB 345 – 45 ° (bar by 0,5 Mt.)	Mt.	50 Mt.
17005001003	Ceramic support CB 360 – 60 ° (bar by 0,5 Mt.)	Mt.	36 Mt.
17005001004	Ceramic support CB 375 – 75 ° (bar by 0,5 Mt.)	Mt.	50 Mt.
17005001005	Ceramic support CB 390 – 90 ° (bar by 0,6 Mt.)	Mt.	48 Mt.

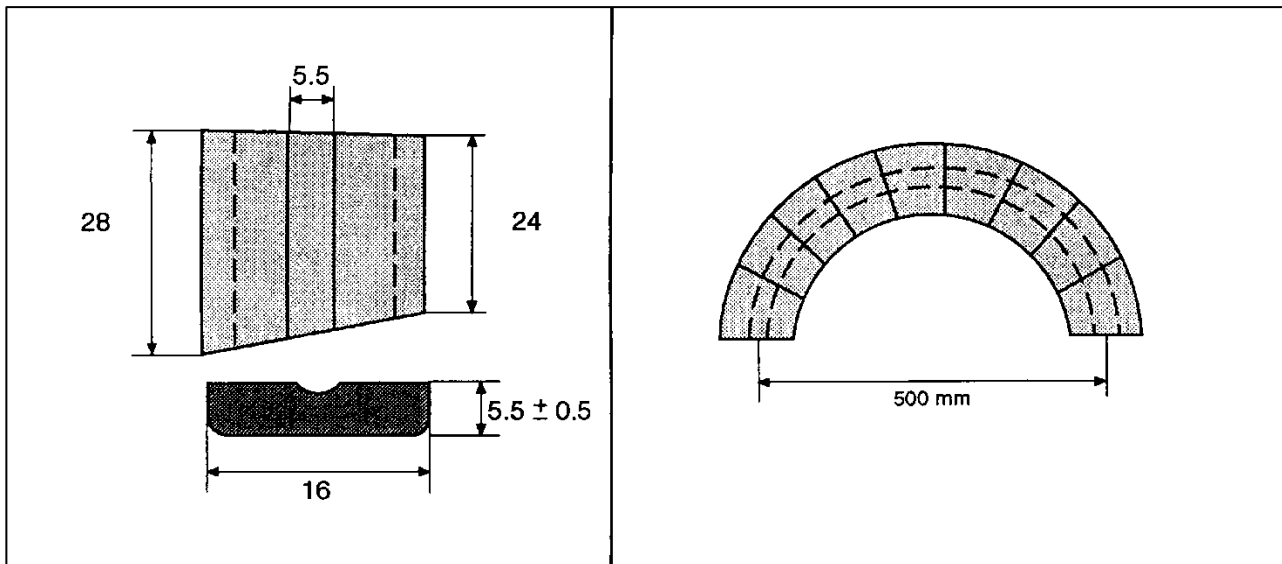


A.NARDUCCI
WELDING PRODUCTS

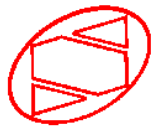
CERAMIC SUPPORT TAPES FOR WELDING HELP



Code	Description	U.M.	Pack.
17006001001	Ceramic support CB 4055 –A4 curve of 90 °	Pcs.	50 Pcs.

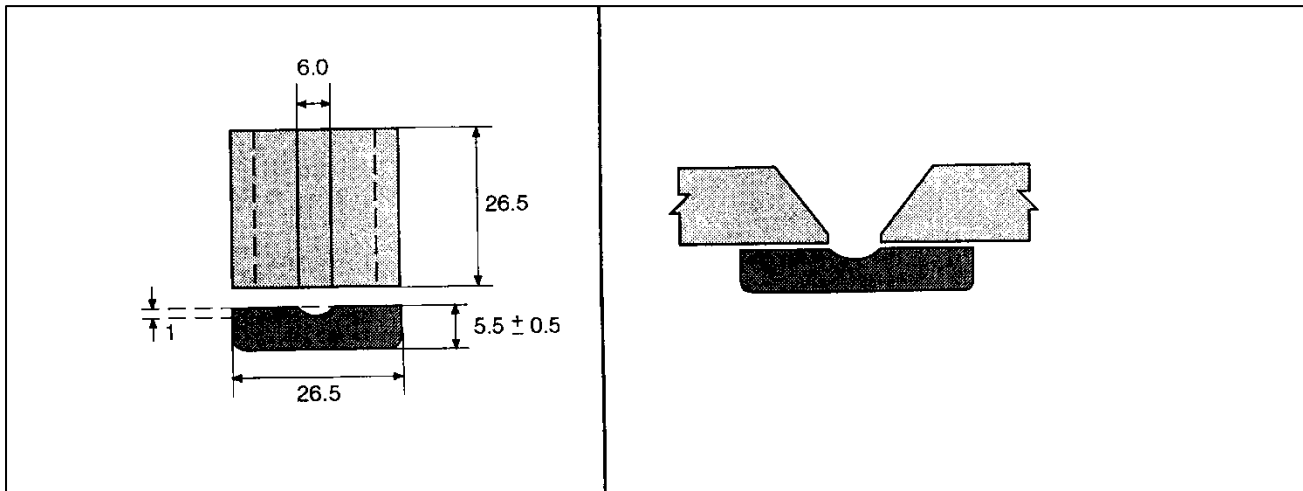


Code	Description	U.M.	Pack.
17006001002	Ceramic support CB 4055 – A5 curve of 90 °	Pcs.	50 Pcs.

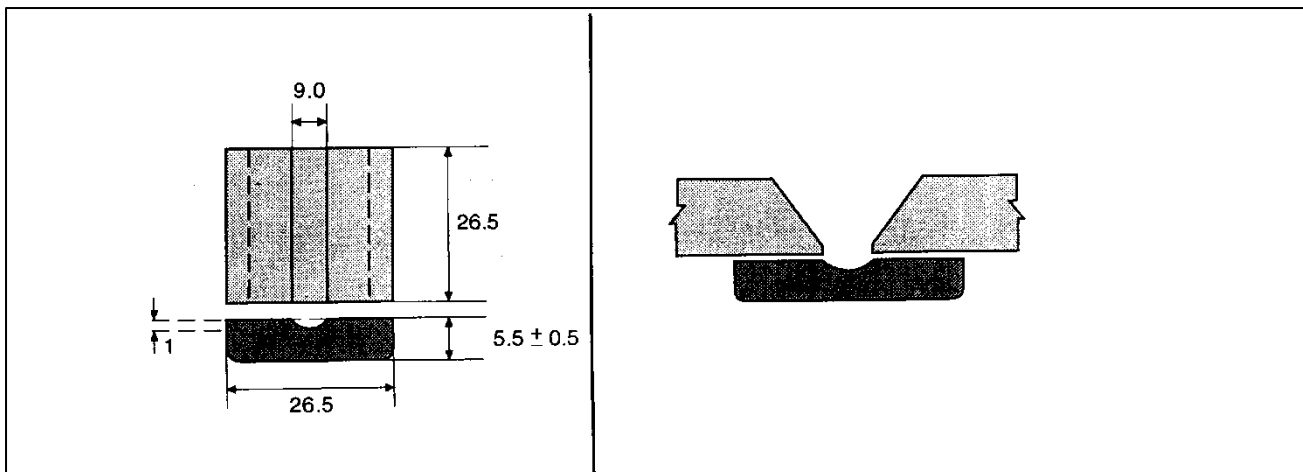


A.NARDUCCI
WELDING PRODUCTS

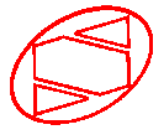
CERAMIC SUPPORT TAPES FOR WELDING HELP



Code	Description	U.M.	Pack.
17008001041	Ceramic support CB 4060 (bar by 0,6 Mt.)	Mt.	48 Mt.
17008001042	Ceramic support CB 4060 A for aluminium (bar by 0,6 Mt.)	Mt.	48 Mt.

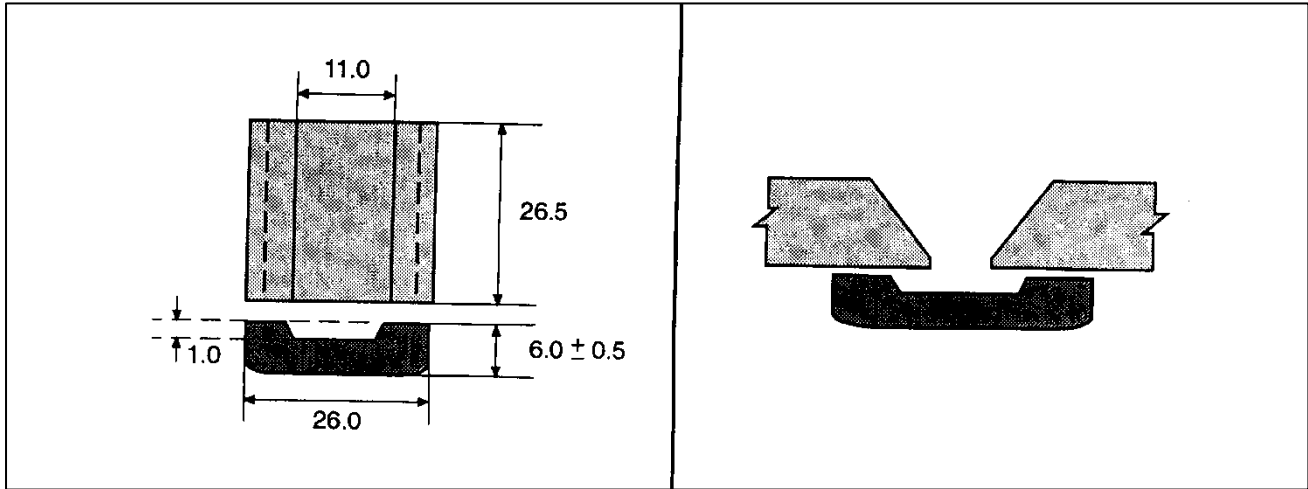


Code	Description	U.M.	Pack.
17008001051	Ceramic support CB 4090 (bar by 0,6 Mt.)	Mt.	48 Mt.
17008001052	Ceramic support CB 4090 A for aluminium (bar by 0,6 Mt.)	Mt.	48 Mt.

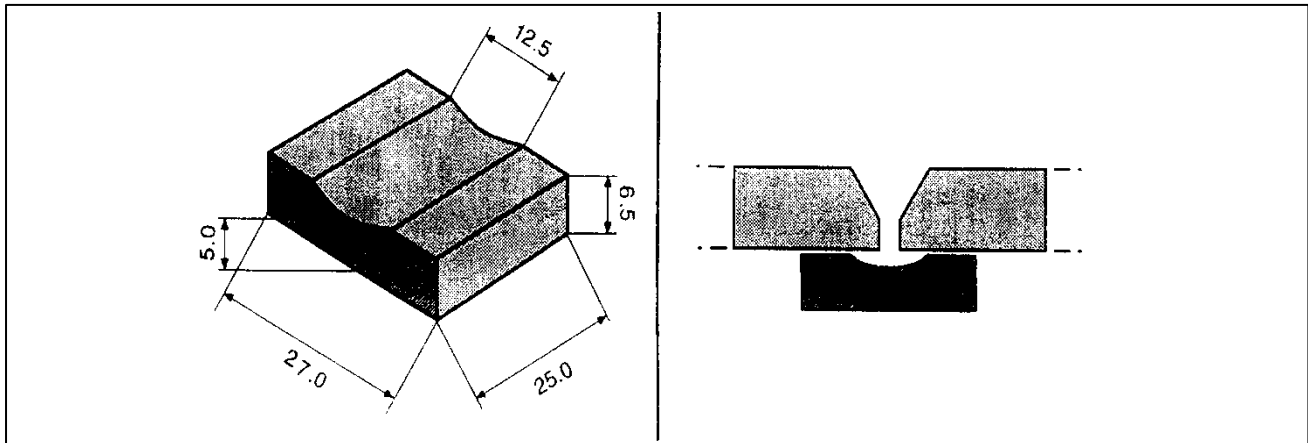


A.NARDUCCI
WELDING PRODUCTS

CERAMIC SUPPORT TAPES FOR WELDING HELP



Code	Description	U.M.	Pack.
17008001061	Ceramic support CB 4110 (bar by 0,6 Mt.)	Mt.	48 Mt.

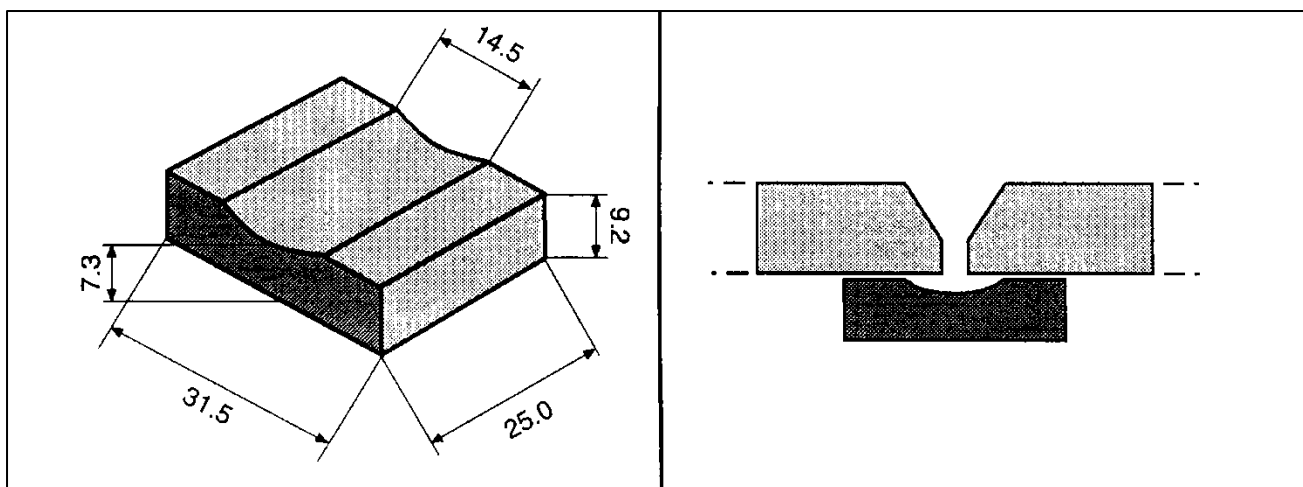


Code	Description	U.M.	Pack.
17008001071	Ceramic support CB 4125 (bar by 0,6 Mt.)	Mt.	48 Mt.
17008001072	Ceramic support CB 4125 A for aluminium (bar by 0,6 Mt.)	Mt.	48 Mt.

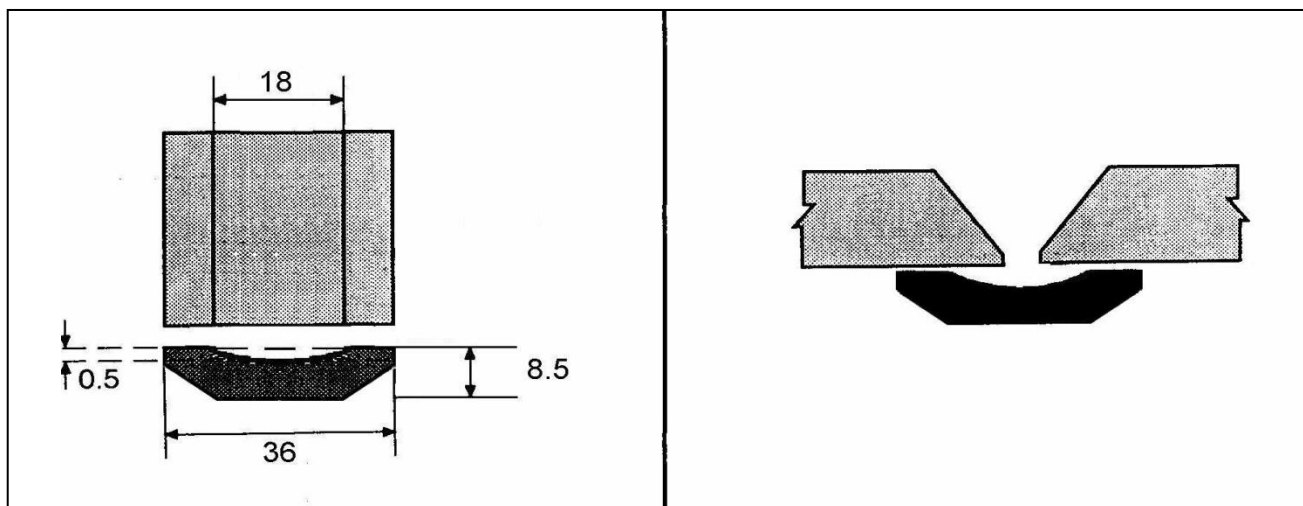


A.NARDUCCI
WELDING PRODUCTS

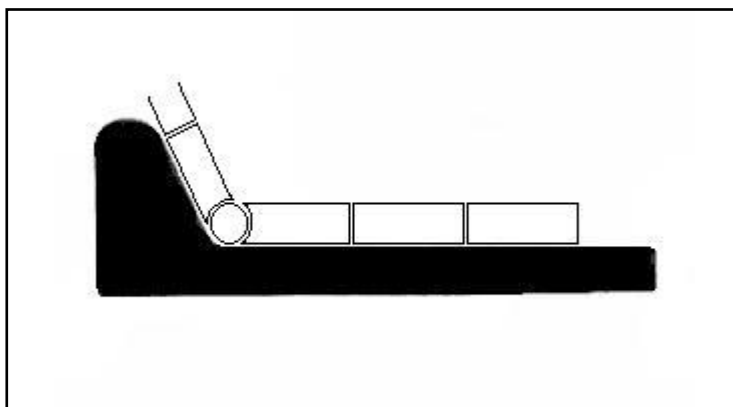
CERAMIC SUPPORT TAPES FOR WELDING HELP



Code	Description	U.M.	Pack.
17008001081	Ceramic support CB 4145 (bar by 0,6 Mt.)	Mt.	36 Mt.



Code	Description	U.M.	Conf.
17008001081	Ceramic support CB 4180 (bar by 0,6 Mt.)	Mt.	36 Mt.

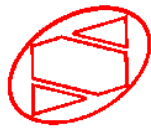


Code	Description	U.M.	Pack.
17002001001	Ceramic support PB 240 for bulb plates (length 240 mm)	Pcs.	100

CERAMIC SUPPORT TAPES FOR WELDING HELP

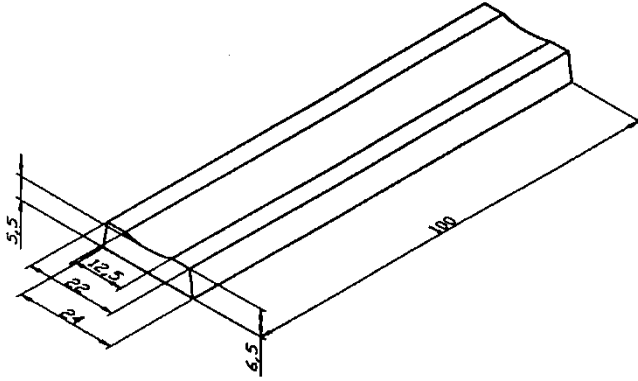


Code	Description	U.M.	Pack.
17003001001	Ceramic support CB 706 D. 6 mm (bar by 0,5 Mt.)	Mt.	40 Mt.
17003001002	Ceramic support CB 709 D. 9 mm (bar by 0,5 Mt.)	Mt.	40 Mt.
17003001003	Ceramic support CB 712 D. 12 mm (bar by 0,5 Mt.)	Mt.	40 Mt. 50 Mt.

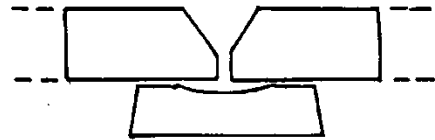
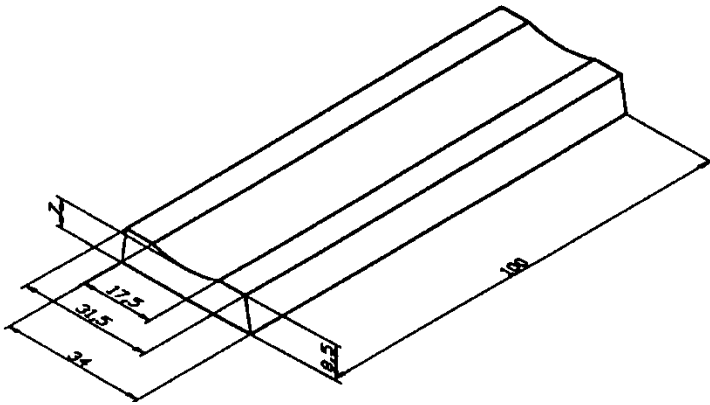


A.NARDUCCI
WELDING PRODUCTS

CERAMIC SUPPORT TAPES FOR WELDING HELP



Code	Description	U.M.	Pack.
17007001001	Ceramic support CB 6125 bar by 0,6 Mt. – on metallic raceway	Mt.	42 Mt.
17007001004	Ceramic support CB 6125 bar by 1 Mt. – on metallic raceway	Mt.	100 Mt.



Code	Description	U.M.	Pack.
17007001002	Ceramic support CB 6175 bar by 0,5 Mt. – on metallic raceway	Mt.	50 Mt.
17007001005	Ceramic support CB 6175 bar by 1 Mt. – on metallic raceway	Mt.	100 Mt.