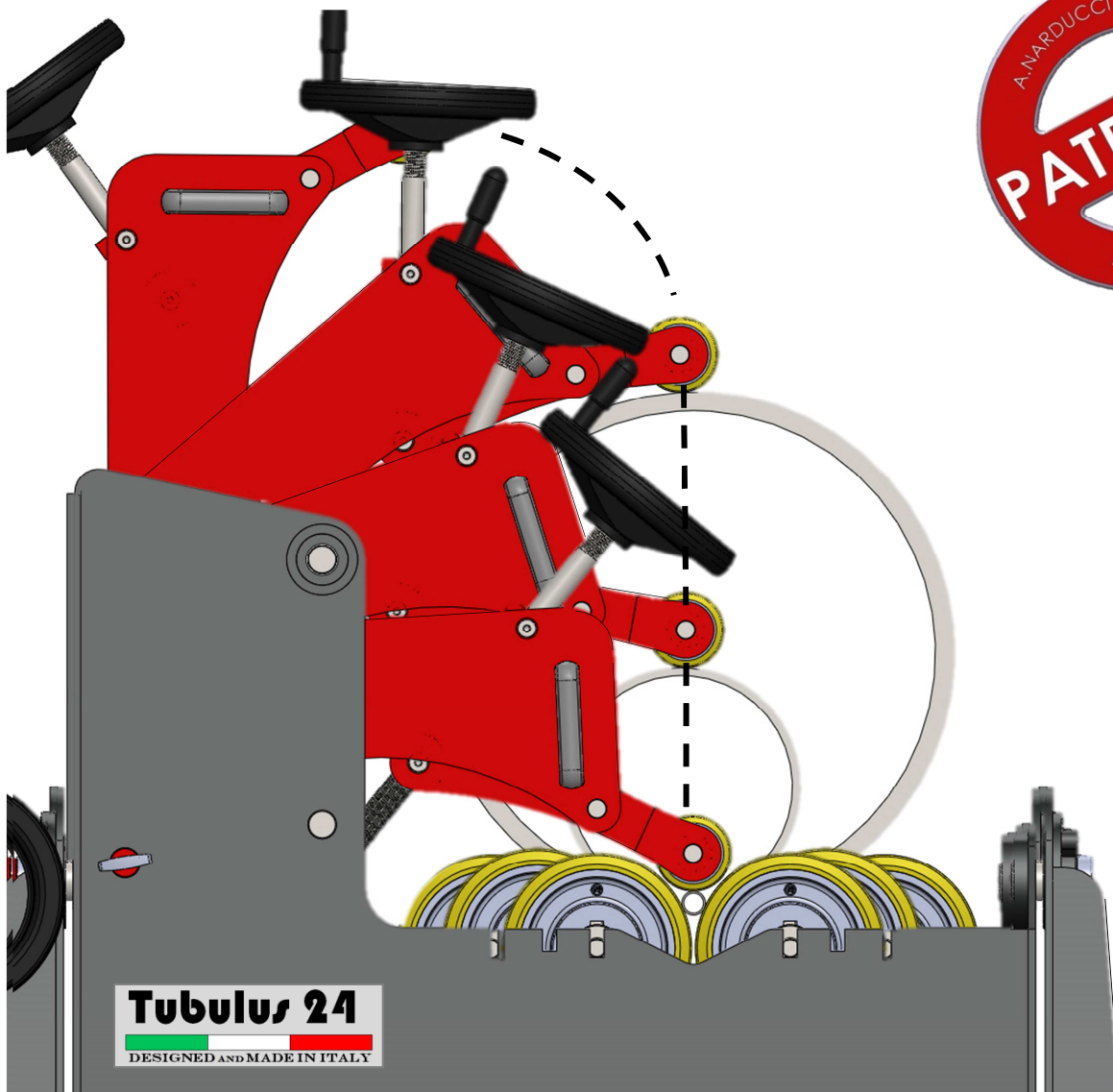


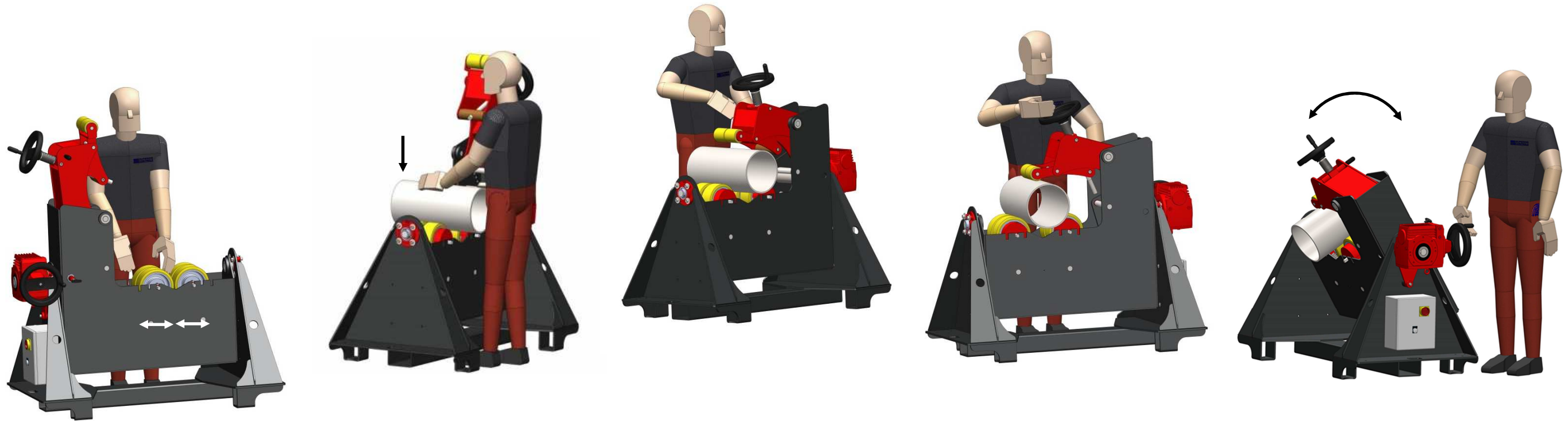


A.NARDUCCI

Tubulus 24



from 1" to 24" in 3 moves



Tubulus 24 is a positioning system for pipes that allows and facilitates the rotation of pieces also unbalanced, as the typical tube-elbow couplings, without use of counterweights.

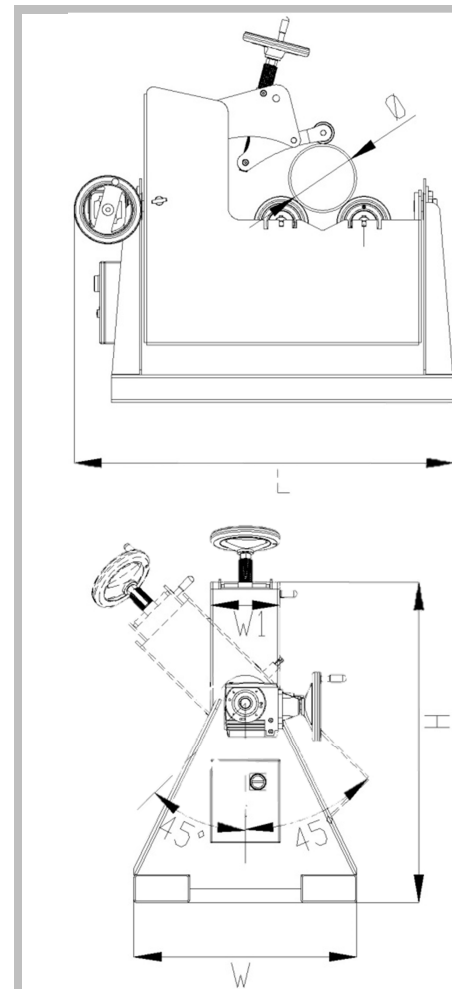
A.NARDUCCI has developed an innovative machine (patent pending) that overcomes the limitations of the machines currently on the market and which boasts the following advantages:

EASY LOAD

No arms that clutter the load of the piece: freedom of movement and excellent accessibility to the area of the support rollers, thanks to the completely folding counter-rolls arm.

TILTING CAPABILITY

A pipe positioner cannot lack of tilting capability due to ease the most varied welding and /or grinding operations.



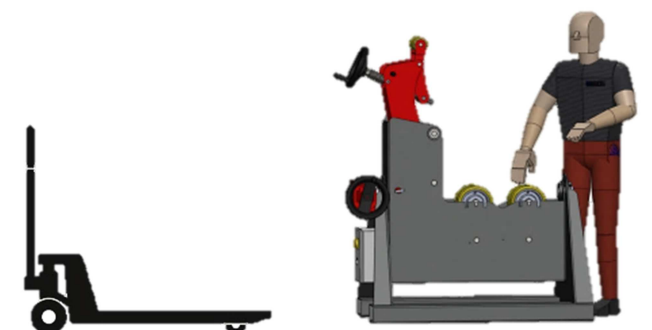
Capacity	600 kg
Allowable diameters	1" – 24" 25 – 610 mm
Tilting moment	710 Nm
Rotating torque	620 Nm
Rotation speed	140-1400 mm/min.
Operating device	Trigger pedal
Roller type	<ul style="list-style-type: none"> ▪ Polyurethane ▪ Rubber ▪ Stainless steel ▪ Steel smooth/knurled ▪ Grooved on demand ▪ Modular roller kit for flanges clamping
Tilting	Manual by handwheel Angle: +/- 45°
Dimensions:	
- Length (L)	1.395 mm
- Width (W)	800 mm
- Height (H)	1.155 mm
Weight	495 kg
Power supply:	220V - Singlephase

Tubulus 24 is supplied as standard equipment with manual tilting operated by handwheel.

EASY ROLLERS REPLACEMENT AND ADJUSTMENT

No chain drives with the consequent problems of slacks, adjustments and removal: the particular powertrain gear allows immediate repositioning of the rollers without necessity of tools and / or adjustment.

At the same time the roller compound is an assembly configured according the user's needs: steel rollers, rubber, flanged, knurled, wide or narrow, flat or "V" shaped. The choice is yours!





A. NARDUCCI S.p.A.

Via Dante Alighieri, 25 ♦ 24040 Stezzano (BG) ♦ ITALY

☎ +39 035 592548 ♦ 📄 +39 035/4559071 ♦ ✉ anarducci@anarducci.com



www.anarducci.com